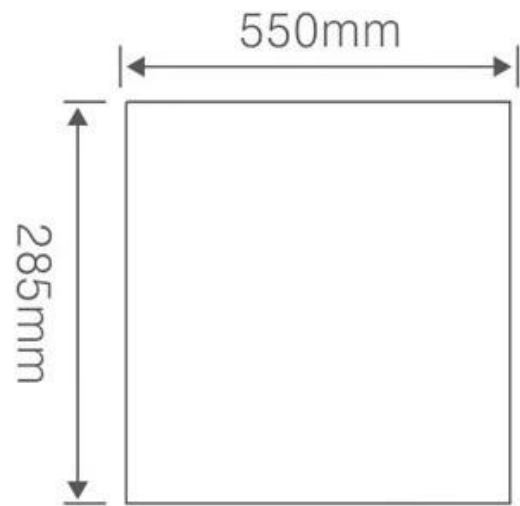


Extra Strength Indoor Microgreens Growing PS Black Plastic Plug Trays
Base [1020 Seed Trays](#)

XT-550 Bottom Tray

- Fit all XQA XQB series and 280x540mm size seed trays
- For flower and vegetation transplanting
- Made from PS material, No-toxic and environment friendly
- Modified with special formula, strong flexibility and durability
- **0.8~1.8mm thickness are available**
- Can drill holes at the bottom of the tray if clients need

Item	Model	Size mm	Thickness mm	QTY/Carton	Weight g/pcs	Carton Size cm
Bottom Tray	TX550	550x285x60	0.8	100	125	50×29×57
			1.0	100	155	55×29×57
			1.2	100	185	56×29×57
			1.5	50	230	50×29×57
			1.8	50	280	55×29×57



Seed Tray Manufacturing

From 3D drawing design, Mold carving, Plastic sheet extrusion, Vacuum Forming, Trimming, Drilling, to Packing, all processes are produced in our own factory. So, we are price terminator (the most competitive price in China).